

Telescopic
90 cm
Stainless steel



EAN 5414425006922

Energy label

▪ Energy Efficiency class (EEIhood)	C
▪ Annual Energy Consumption (kWh/year) (AEChood)	83,2
▪ Fluid Dynamic Efficiency class (FDEhood)	D
▪ Lighting Efficiency class (LEhood)	A
▪ Grease Filtering Efficiency class (GFEhood)	F

Functions & features

▪ Control method	Rotary switch
▪ Number of speeds	3
▪ Motor	Integrated
▪ Sound absorber	Integrated
▪ Recirculation	Optional
▪ Auto stop	-
▪ Number of grease filters	2
▪ Grease filter	609014
▪ Grease filter cleaning indication	-
▪ Recirculation filter cleaning indication	-

Dimensions

▪ Product dimensions (WxDxH) (mm)	898 x 290 x 348
▪ Dimensions cut-out opening (WxD) (mm)	860 x 180
▪ Min dimensions cabinet (WxDxH) (mm)	900 x 280 x 450
▪ Advised mounting height induction hobs (Hmin-Hmax) (mm)	650 - 750
▪ Advised mounting height gas hobs (Hmin-Hmax) (mm)	650 - 750
▪ Advised mounting height ceramic hobs (Hmin-Hmax) (mm)	600 - 750
▪ Diameter outlet (mm)	150
▪ Position exhaust	Top

Lighting

▪ Functional lighting type	Led
▪ Dimmable light	-
▪ Soft-ON/OFF	-
▪ Total energy consumption functional light (W)	4

Airflow and noise level

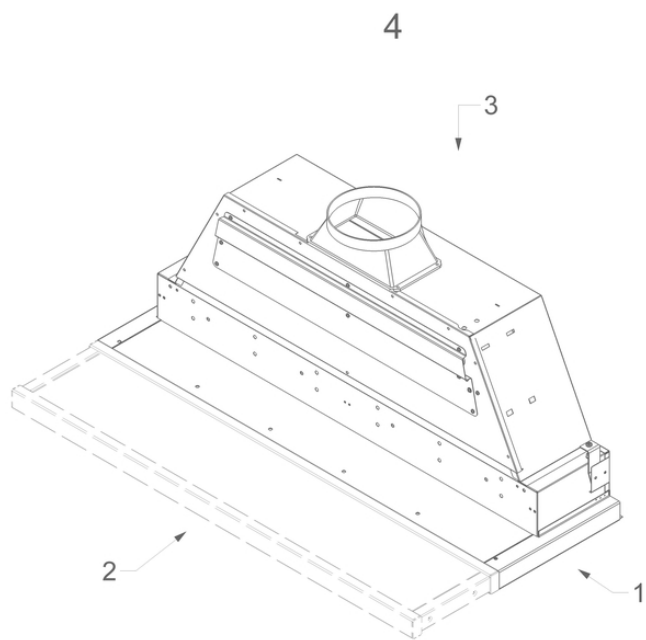
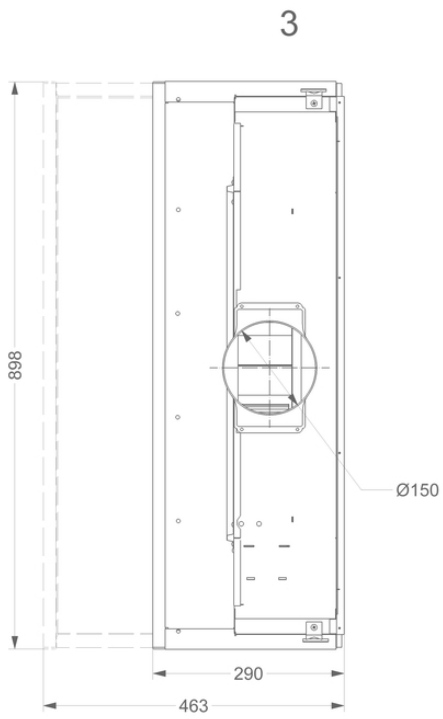
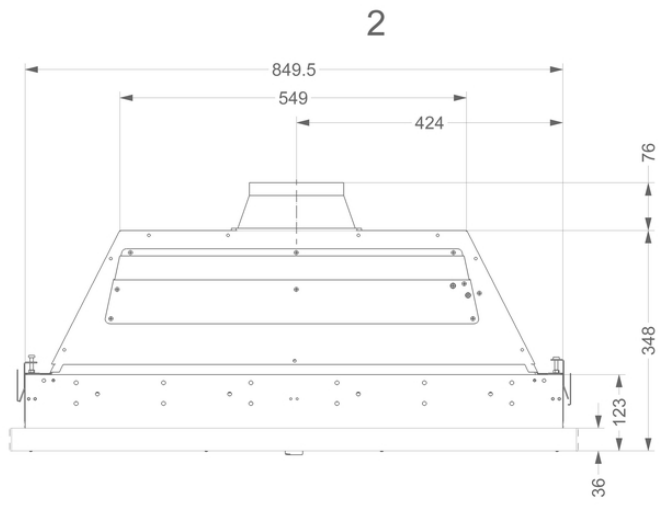
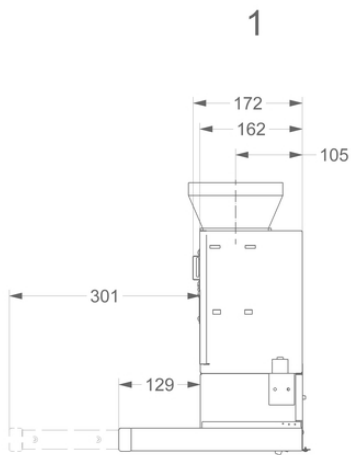
▪ Airflow (m ³ /h) measured according to EN 61591	
▪ Sound regulation according to EN 60704-2-13	
▪ Airflow speed 1 (m ³ /h) / Max Pressure speed 1 (Pa)	353 / 313
▪ Airflow speed 2 (m ³ /h) / Max Pressure speed 2 (Pa)	423 / 347
▪ Airflow speed 3 (m ³ /h) / Max Pressure speed 3 (Pa)	587 / 397
▪ Sound pressure speed 1 (dB(A)) / Sound power speed 1 (dB(A))	39 / 50
▪ Sound pressure speed 2 (dB(A)) / Sound power speed 2 (dB(A))	43 / 55

Airflow and noise level

▪ Sound pressure speed 3 (dB(A)) / Sound power speed 3 (dB(A))	50 / 61
--	---------

Technical specifications

▪ Maximum power	194
▪ Voltage (V)	220-230
▪ Frequency (Hz)	50
▪ Length power supply cord (m)	1,1
▪ Power consumption in off-mode (Po) (W)	0.00
▪ Net weight (kg)	15,7



Accessories

Recirculation kit

692400

Monoblock recirculation set for 691, 692, 693

