

**Telescopic**  
**60 cm**  
**Stainless steel**



EAN 5414425006618

### Energy label

▪ Energy Efficiency class (EEIhood)	C
▪ Annual Energy Consumption (kWh/year) (AEChood)	46,4
▪ Fluid Dynamic Efficiency class (FDEhood)	D
▪ Lighting Efficiency class (LEhood)	A
▪ Grease Filtering Efficiency class (GFEhood)	D

### Functions & features

▪ Control method	Rotary switch
▪ Number of speeds	3
▪ Motor	Integrated
▪ Sound absorber	Integrated
▪ Recirculation	Optional
▪ Auto stop	-
▪ Number of grease filters	1
▪ Grease filter	605014
▪ Grease filter cleaning indication	-
▪ Recirculation filter cleaning indication	-

### Dimensions

▪ Product dimensions (WxDxH) (mm)	598 x 290 x 348
▪ Dimensions cut-out opening (WxD) (mm)	560 x 180
▪ Min dimensions cabinet (WxDxH) (mm)	600 x 280 x 450
▪ Advised mounting height induction hobs (Hmin-Hmax) (mm)	650 - 750
▪ Advised mounting height gas hobs (Hmin-Hmax) (mm)	650 - 750
▪ Advised mounting height ceramic hobs (Hmin-Hmax) (mm)	600 - 750
▪ Diameter outlet (mm)	125
▪ Position exhaust	Top

### Lighting

▪ Functional lighting type	Led
▪ Dimmable light	-
▪ Soft-ON/OFF	-
▪ Total energy consumption functional light (W)	4

### Airflow and noise level

▪ Airflow (m <sup>3</sup> /h) measured according to EN 61591	
▪ Sound regulation according to EN 60704-2-13	
▪ Airflow speed 1 (m <sup>3</sup> /h) / Max Pressure speed 1 (Pa)	212 / 252
▪ Airflow speed 2 (m <sup>3</sup> /h) / Max Pressure speed 2 (Pa)	255 / 290
▪ Airflow speed 3 (m <sup>3</sup> /h) / Max Pressure speed 3 (Pa)	346 / 344
▪ Sound pressure speed 1 (dB(A)) / Sound power speed 1 (dB(A))	38 / 49
▪ Sound pressure speed 2 (dB(A)) / Sound power speed 2 (dB(A))	43 / 54

**Airflow and noise level**

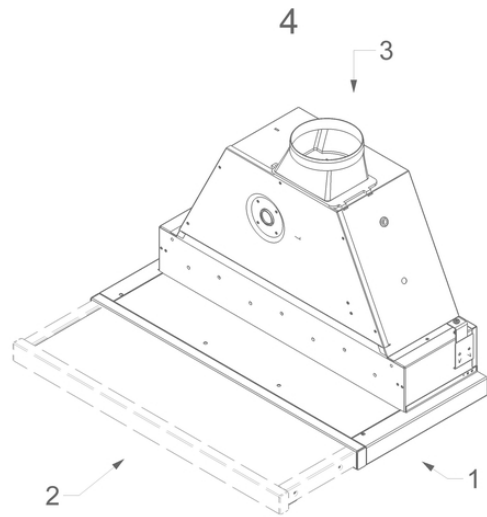
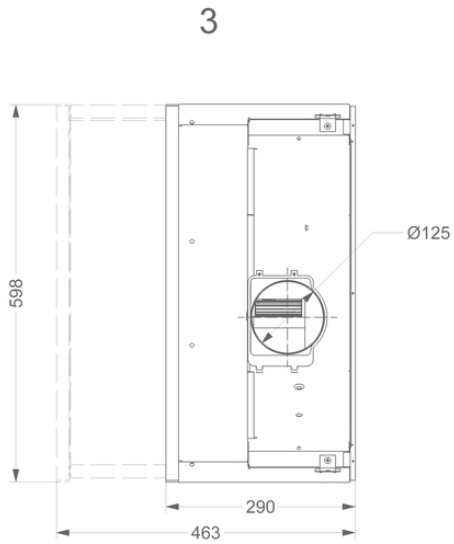
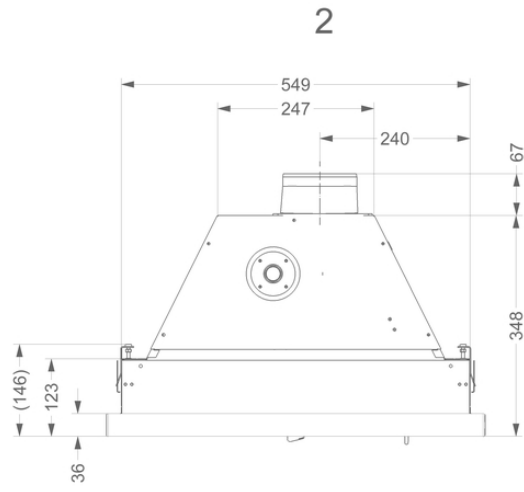
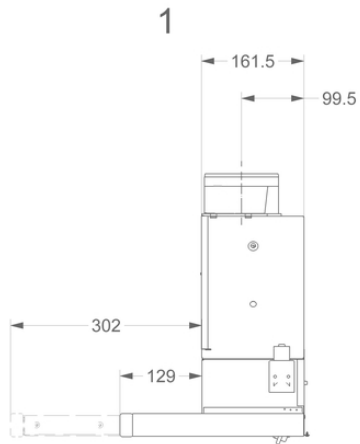
---

▪ Sound pressure speed 3 (dB(A)) / Sound power speed 3 (dB(A))	48 / 60
--	---------

**Technical specifications**

---

▪ Maximum power	103
▪ Voltage (V)	220-230
▪ Frequency (Hz)	50
▪ Length power supply cord (m)	1,1
▪ Power consumption in off-mode (Po) (W)	0.00
▪ Net weight (kg)	11,8



Accessories

---

Recirculation kit



662400

Monoblock recirculation set for 661, 662, 663

