

**Telescopic  
Fusion 60 cm  
White**



EAN 5414425006809

**Energy label**

▪ Energy Efficiency class (EEIhood)	A
▪ Annual Energy Consumption (kWh/year) (AEChood)	35,2
▪ Fluid Dynamic Efficiency class (FDEhood)	A
▪ Lighting Efficiency class (LEhood)	A
▪ Grease Filtering Efficiency class (GFEhood)	B

**Functions & features**

▪ Control method	Touch control
▪ Number of speeds	3 + power
▪ Automatic Power revert (minutes)	6
▪ Motor	Integrated
▪ Sound absorber	Integrated
▪ Recirculation	Optional
▪ InTouch function	Standard
▪ Auto stop	▪
▪ Delayed switch off (minutes)	10
▪ Number of grease filters	1
▪ Grease filter	680020
▪ Grease filter cleaning indication	▪
▪ Recirculation filter cleaning indication	▪

**Dimensions**

▪ Product dimensions (WxDxH) (mm)	520 x 280 x 320
▪ Dimensions cut-out opening (WxD) (mm)	505 x 265
▪ Min dimensions cabinet (WxDxH) (mm)	505 x 265 x
▪ Advised mounting height induction hobs (Hmin-Hmax) (mm)	500 - 750
▪ Advised mounting height gas hobs (Hmin-Hmax) (mm)	650 - 750
▪ Advised mounting height ceramic hobs (Hmin-Hmax) (mm)	500 - 750
▪ Diameter outlet (mm)	150
▪ Position exhaust	Top, Back

**Lighting**

▪ Functional lighting type	Led strip
▪ Dimmable light	▪
▪ Soft-ON/OFF	-
▪ Total energy consumption functional light (W)	10
▪ Color functional light	3000

**Airflow and noise level**

▪ Free airflow (m <sup>3</sup> /h)	815
▪ Airflow (m <sup>3</sup> /h) measured according to EN 61591	
▪ Sound regulation according to EN 60704-2-13	

## Airflow and noise level

---

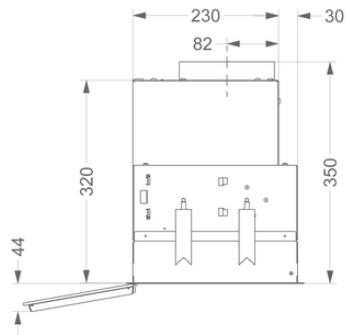
- Airflow duct out speed 1 (m<sup>3</sup>/h) / Max pressure duct out speed 1 (Pa) 230 / 68
- Airflow duct out speed 2 (m<sup>3</sup>/h) / Max pressure duct out speed 2 (Pa) 397 / 238
- Airflow duct out speed 3 (m<sup>3</sup>/h) / Max pressure duct out speed 3 (Pa) 527 / 367
- Airflow duct out max powerspeed (m<sup>3</sup>/h) (Qboost) / Max pressure duct out608 / 367  
max powerspeed (Pa)
- Sound pressure duct out speed 1 (dB(A)) / Sound power duct out speed 29 / 39  
1 (dB(A))
- Sound pressure duct out speed 2 (dB(A)) / Sound power duct out speed 40 / 51  
2 (dB(A))
- Sound pressure duct out speed 3 (dB(A)) / Sound power duct out speed 48 / 58  
3 (dB(A))
- Sound pressure duct out at max powerspeed (dB(A)) / Sound power duct 51 / 61  
out at max powerspeed (dB(A)) (LWAbost)

## Technical specifications

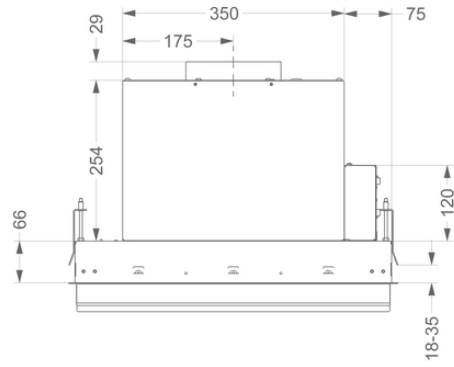
---

- Maximum power (W) 121
- Voltage cooker hood (V) 220-230
- Frequency (Hz) 50
- Length power supply cord (m) 1,1
- Power consumption in stand-by-mode (Ps) (W) 0.29
- Net weight (kg) 12,5

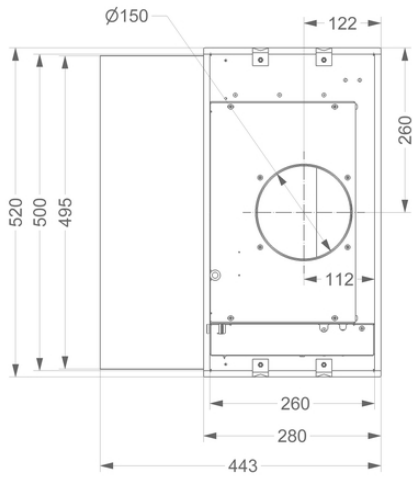
1



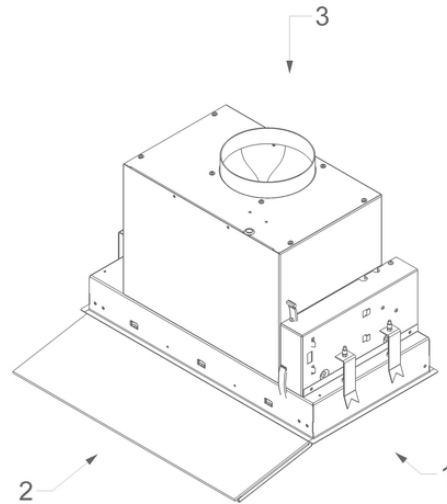
2



3



4



Installation accessories

---

Additional accessories

- 840029

Remote control

Accessories

---

Recirculation kit



680400

Monoblock recirculation set Fusion, Fusion+

